

## Cathodic Protection Rectifier Utility Air Series



*Gentherm Global Power Technologies' (GPT)\* Utility Series rectifier provides a quality product specifically designed to meet the requirements of our clients. Used primarily in small utility and service stations applications; these units are supplied with a compact design and limited optional features.*

\*Formerly Global Thermoelectric

### Standard Features:

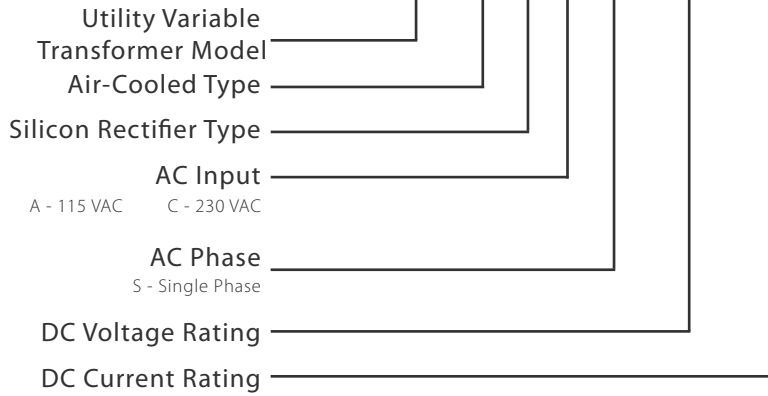
- Single door cabinet with removable phenolic panel
- Nema 3R rated cabinet, lockable
- Available in 14 gauge polyester powder coated steel
- All cabinet hardware stainless steel, all brass/copper hardware has electroless nickel plated finish
- Available with pole or wall mounting
- Single phase input 115 VAC available
- Variable transformer adjustment
- Transformer min. 95% efficient, Class H temperature rated.
- Overload/short protection provided by fully magnetic trip circuit breaker and fusing
- Silicon diode rectification bridge with surge protection
- Single 2 1/2" switched DC metering, Accuracy  $\pm 2\%$
- Standard MOV AC and DC lightning protection on all rectifiers
- -50°C to 45°C operating ambient
- One year Warranty
- Limited line of options available
- CSA or equivalent approval



**Power where you need it.®**



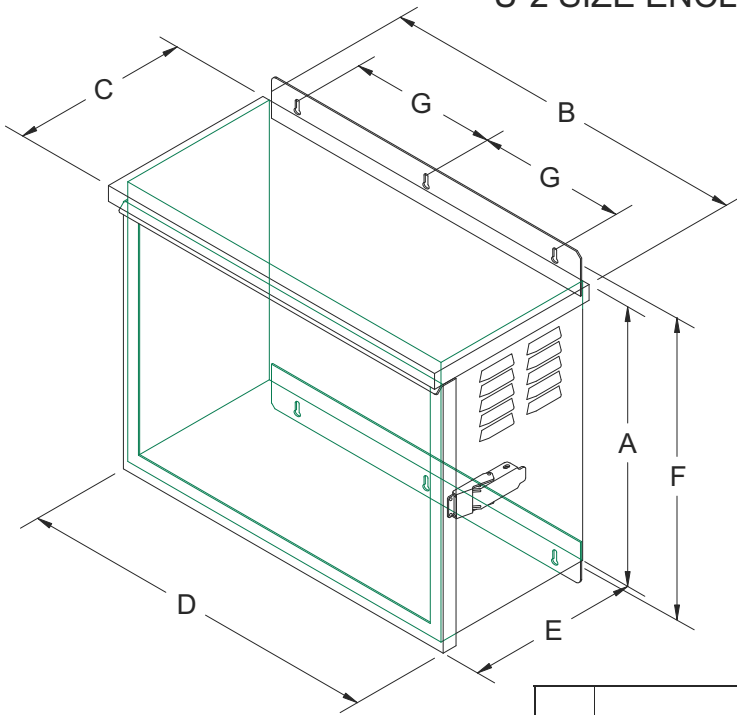
# UVASAS 40-8 M



## Common Optional Features

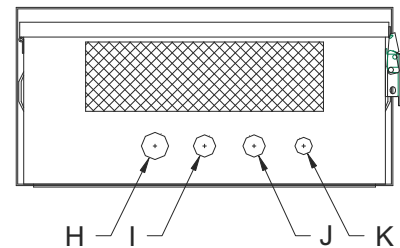
- D - Upgraded Diode Voltage (PIV) Rating
- L - Extra DC Output Lug Terminals
- M - Extra DC Output Meter
- O<sub>b</sub> - Sealed Meter Switch
- R - Potential Meter
- S - Non-Standard Surge Protection (AC or DC)
- Y - Special Test, Document or Label Requirement
- Z - Non-Listed Optional Feature (consult factory)

## U-2 SIZE ENCLOSURE SHOWN



NOTE: ENCLOSURES ARE SUPPLIED WITH (6) KEYHOLES SIZED FOR A MAXIMUM #10 (0.215") MOUNTING BOLT (U-1 & U-2) AND 1/2 (0.50") MOUNTING BOLT (U-3)

## BOTTOM VIEW



ENCL. SIZE	ENCLOSURE DIMENSIONS (")										
	A	B	C	D	E	F	G	H	I	J	K
U-1	12.125	13.000	7.000	12.625	6.375	13.250	4.500	1.125 (1) 3/4" KO	N/A	0.875 (1) 1/2" KO	N/A
U-2	14.125	19.000	9.000	18.625	8.375	15.250	7.500	1.375 (1) 1" KO	1.125 (1) 3/4" KO	1.125 (1) 3/4" KO	0.875 (1) 1/2" KO
U-3	24.000	16.250	10.500	16.375	9.750	26.500	7.000	0.875 (1) 1/2" KO	N/A	1.375 (1) 1" KO	1.734 (1) 1 1/4" KO



Power where you need it.®

ISO 9001:2008 Registered

**Corporate Office**  
 16, 7875 – 57 Street S.E.  
 Calgary AB T2C 5K7 Canada  
 Phone: (403) 236-5556  
 Fax: (403) 236-5575  
 E-mail:  
 GPTsales@gentherm.com

**US Office**  
 8505 Technology Forest Place,  
 Bldg 903 Woodlands Cluster  
 The Woodlands, TX 77381  
 Toll free: 1-800-848-4113

[www.GenthermGlobalPower.com](http://www.GenthermGlobalPower.com)