

Cathodic Protection Rectifier C.P Sentinel Series

Standard Features:

- Available in our Advantage Line of Air or Oil cooled enclosure (cabinet rating and optional construction dependent on application)
- Fully Automatic control modes available; IR-Free potential (single phase only); Constant "On" potential; Constant current or constant voltage
- Potential control accuracy within ± 5 mV of set point
- Current and Voltage control within $\pm 1\%$ of set points
- Automatic Potential, current & voltage mode operation with seamless, automatic transfer between operational modes
- LED Status lamps indicate operational mode
- Reference Cell input resistance > 20 Meg-Ohms
- Innovative "anti-spiking" circuitry prevents current over shoot during current interrupt mode.
- SCR/Diode rectification module with surge protection
- Single and three phase inputs available
- Transformer: min 95% efficient, Class "H" rated
- Overload/short-circuit protection by fully magnetic circuit breaker including AC secondary fusing
- 3 1/2 continuous readout DC metering, accuracy $\pm 2\%$
- High energy AC & DC surge & lightning protection
- -40°C to 50°C (-40°F to 122°F) operating ambient
- One year Warranty
- Multiple options available; tailored to the application
- CSA or equivalent approval



Gentherm Global Power Technologies C.P. Sentinel Series rectifier provides the precise control required in many of today's applications.

Utilizing the state of the art Sentry/TRI-Sentry Controller™, the C.P Sentinel units deliver unmatched performance and features for the most demanding of CP applications in a multitude of industries.

GENTHERM 
GLOBAL POWER TECHNOLOGIES

Power where you need it.®



CPASAS 40-28 B

C.P Sentinel Model

- CC - Current Control
- CI - IR Free Potential Control
- CP - On Potential Control
- CV - Voltage Control

A - Air-Cooled Type

O - Oil-Cooled Type

Silicon Rectifier Type

AC Input

- A - 115 VAC
 - B - 208 VAC
 - C - 230 VAC
 - D - 416 VAC
 - E - 460 VAC
 - F - 115/230 VAG
 - G - 230/460 VAC
 - H - 600 VAC
 - Z - Other input
- Consult Factory

AC Phase

- S - Single Phase
- T - Three Phase

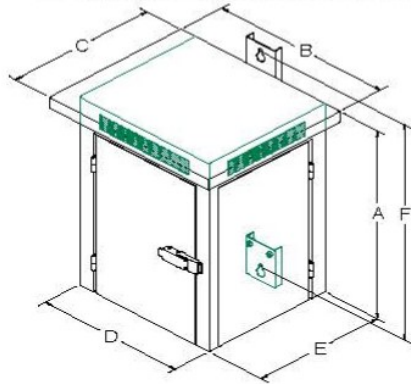
DC Voltage Rating

DC Current Rating

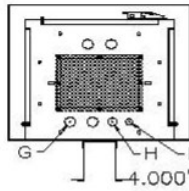
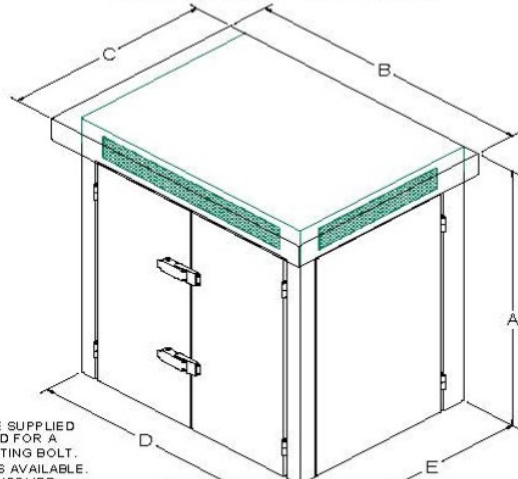
Common Optional Features

- A - Alarm Circuit **
 - B - Base Mounting Legs (12" Typical) **
 - C - Communications Filter (Capacitor/Choke)
 - D - Upgrades SCR Diode Voltage (PIV) Rating
 - E - Efficiency Filter (Choke)
 - F - Non-Standard Enclosure Finish **
 - G - GFI Convenience Outlet **
 - I - Interrupter Circuit
 - J - Non-Standard AC Input Frequency (50 Hz)
 - L - Non-Standard DC Lug Terminals **
 - M - Extra Rectifier Meter **
 - N - Auxiliary Negative Output Circuit **
 - O - Meter Switch **
 - P - Auxiliary Positive Output Circuit **
 - Q - Non-Standard Adjustment Method **
 - R - Potential Meter (Included in potential control units)
 - Y - Special Test, Document or Label Requirement
 - Z - Non-Listed Optional Feature (consult factory)
- ** Options details available

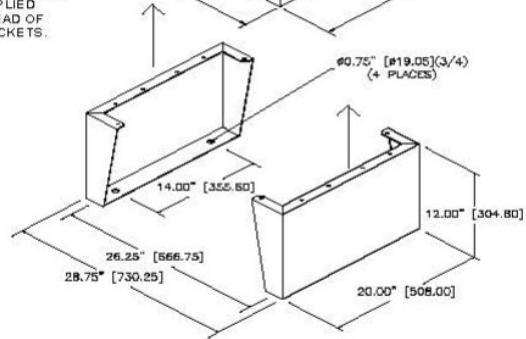
TYPICAL A-2 OR A-3 SIZE ENCLOSURE



TYPICAL A-4 SIZE ENCLOSURE



NOTE: A-2 & A-3 ENCLOSURES ARE SUPPLIED WITH (2) KEYHOLES SIZED FOR A MAXIMUM 5/8 (0.625") MOUNTING BOLT. OPTIONAL BASE MOUNTING IS AVAILABLE. A-4 ENCLOSURES ARE SUPPLIED WITH BASE MOUNTING INSTEAD OF WALL / POLE MOUNTING BRACKETS.



ENCL. SIZE	ENCLOSURE DIMENSIONS (")								
	A	B	C	D	E	F	G	H	I
A-2	26.625	23.25	19.25	19.00	17.00	30.50	1.375 (4) 1" KO	1.125 (1) 3/4" KO	0.875 (1) 1/2" KO
A-3	32.625	26.25	24.25	22.00	22.00	36.50	1.375 (4) 1" KO	1.125 (1) 3/4" KO	0.875 (1) 1/2" KO
A-4	36.00	36.25	26.25	32.00	24.00	N/A	1.984 (4) 1.1/2" KO	1.375 (1) 1" KO	1.125 (1) 3/4" KO

Corporate Office

16, 7875 – 57 Street S.E. Calgary,
Alberta, Canada T2C 5K7
Phone (403)236-5556
Fax (403)236-5575

US Office

8505 Technology Forest Place, Bldg 9
Woodlands Cluster
The Woodlands, Tx 77381
Toll free: 1-800-848-4113

