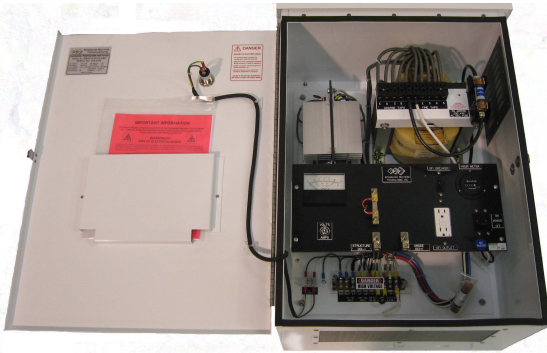


Cathodic Protection Rectifier Benchmark Air Series



Gentherm Global Power Technologies Benchmark Series rectifier provides a quality product specifically designed to meet the requirements of our clients. Used in applications where cost can be a factor; this series is not supplied with the full line of advanced features of the Advantage Series.

Standard Features:

- Single door cabinet with removable panel
- NEMA 3R rated cabinet, lockable
- Available in 14 gauge polyester powder coated steel
- All cabinet hardware stainless steel, all brass/copper hardware has electroless nickel plated finish
- Available with pole or wall mounting
- Single phase inputs available
- 25 output steps, terminal block adjustment
- Transformer min. 95% efficient, Class H temperature rated.
- Overload/short protection provided by fully magnetic trip circuit breaker and fusing
- Silicon diode rectification bridge c/w surge protection
- Single 3 1/2" switched DC metering, Accuracy $\pm 2\%$
- Standard MOV AC and DC lightning protection on all rectifiers
- -50°C to 45°C operating ambient
- One year Warranty
- Limited line of options available
- CSA or equivalent approval



Power where you need it.®



BMASAS 40-16 B

Benchmark Line Model

Air-Cooled Type

Silicon Rectifier Type

AC Input

A - 115 VAC E - 460 VAC
 B - 208 VAC F - 115/230 VAC
 C - 230 VAC G - 230/460 VAC
 D - 416 VAC

AC Phase

S - Single Phase

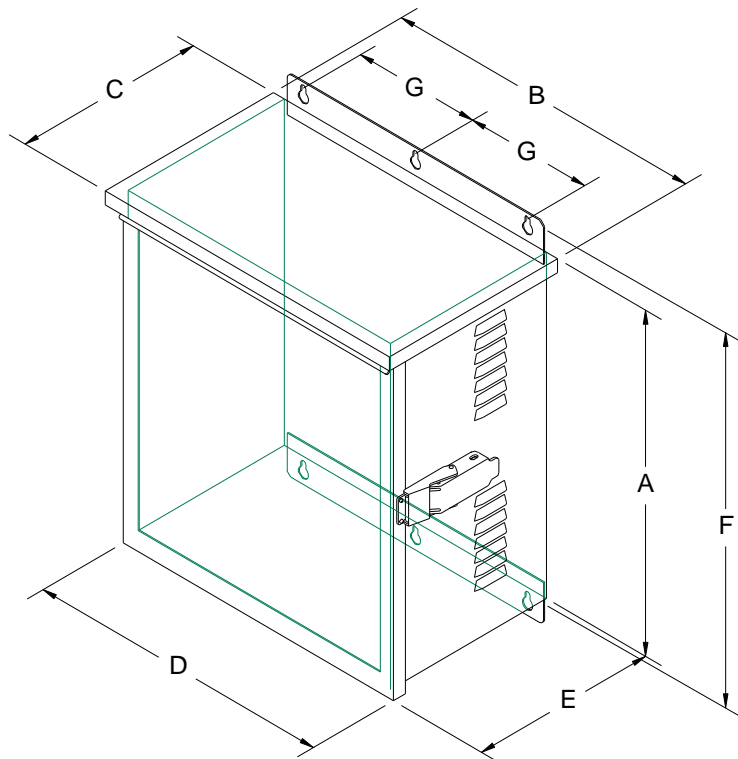
DC Voltage Rating

DC Current Rating

Common Optional Features

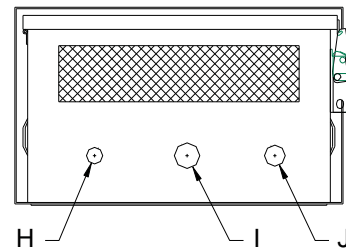
- A - Alarm circuit **
 - C - Communications Filter (Capacitor/Choke)
 - D - Upgraded Diode Voltage (PIV) Rating
 - E - Efficiency Filter (Choke)
 - G - GFI Convenience Outlet **
 - I - Interrupter Circuit
 - J - Non-Standard AC Input Frequency (50 Hz)
 - L - Non-Standard DC Lug Terminals **
 - M - Extra Rectifier Meter **
 - N - Auxiliary Negative Output Circuit **
 - Ob - Sealed Meter Switch
 - P - Auxiliary Positive Output Circuit **
 - R - Potential Meter
 - S - Non-Standard Surge Protection (AC or DC)
 - Y - Special Test, Document or Label Requirement
 - Z - Non-Listed Optional Feature (consult factory)
- ** - Optional detail available.

TYPICAL B-1 SIZE ENCLOSURE



NOTE: ENCLOSURES ARE SUPPLIED WITH (6) KEYHOLES SIZED FOR A MAXIMUM 5/16 (0.313") MOUNTING BOLT (B-1) AND 3/8 (0.375") MOUNTING BOLT (B-2)

BOTTOM VIEW



ENCL. SIZE	ENCLOSURE DIMENSIONS (")									
	A	B	C	D	E	F	G	H	I	J
B-1	18.500	17.750	10.500	16.875	10.000	20.000	7.000	0.875 (1) 1/2" KO	1.375 (1) 1" KO	1.125 (1) 3/4" KO
B-2	28.125	20.875	13.000	20.500	12.250	29.500	7.000	0.875 (1) 1/2" KO	1.375 (1) 1" KO	1.125 (1) 3/4" KO



Corporate Office:
 16, 7875 – 57 Street S.E.
 Calgary Alberta Canada T2C 5K7
 Phone: (403) 236-5556
 Fax: (403) 236-5575

US Office:
 8505 Technology Forest Place, Bldg 903
 Woodlands Cluster
 The Woodlands, TX 77381
 Fax: (281) 445-6060
 Toll Free: 1-800-848-4113

www.GenthermGlobalPower.com