

Cathodic Protection Rectifier Advantage Air series



Gentherm Global Power Technologies Advantage Series rectifier provides a quality product specifically designed to meet the requirements of our clients. Used in the majority of applications; this series has a multitude of options available.

Standard Features:

- Removable 3-door cabinet with slide out frame
- NEMA 3R rated cabinet, lockable
- Available in 12 gauge polyester powder coated steel or 11 gauge hot dipped galvanized steel
- All cabinet hardware stainless steel, all brass/copper hardware has electroless nickel plated finish
- Available with pole/wall or base mounting bracket
- Single and three phase inputs available
 - Minimum 25 output steps, tap link bar adjustment
- Transformer min. 95% efficient, Class H temperature rated.
- Overload/short protection provided by fully magnetic trip circuit breaker and fusing
- Silicon diode rectification bridge with surge protection
- 3 1/2" continuous readout DC metering, Accuracy $\pm 2\%$
- High energy AC and DC lightning protection on all rectifiers
- -50°C to 45°C operating ambient
- One year Warranty
- Full line of options available
- CSA or equivalent approval

GENTHERM 
GLOBAL POWER TECHNOLOGIES

Power where you need it.®



ADASFS 60-42 B

Advantage Line Model

Air-Cooled Type

Silicon Rectifier Type

AC Input

A - 115 VAC F - 115/230 VAC
 B - 208 VAC G - 230/460 VAC
 C - 230 VAC H - 600 VAC
 D - 416 VAC Z - Other Input
 E - 460 VAC Consult Factory

AC Phase

S - Single Phase
 T - Three Phase

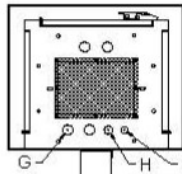
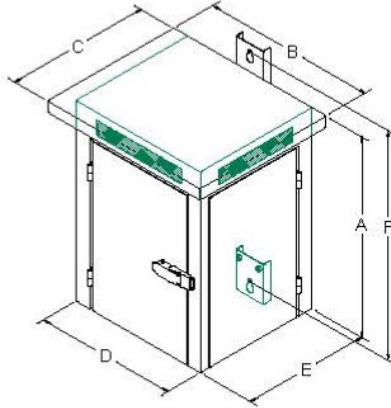
DC Voltage Rating

DC Current Rating

Common Optional Features

- A - Alarm circuit **
 - B - Base Mounting Legs (12" typical) **
 - C - Communications Filter (Capacitor/Choke)
 - D - Upgraded Diode Voltage (PIV) Rating
 - E - Efficiency Filter (Choke)
 - F - Non-Standard Enclosure Finish **
 - G - GFI Convenience Outlet **
 - I - Interrupter Circuit
 - J - Non-Standard AC Input Frequency (50 Hz)
 - L - Non-Standard DC Lug Terminals **
 - M - Extra Rectifier Meter **
 - N - Auxiliary Negative Output Circuit **
 - O - Meter Switch **
 - P - Auxiliary Positive Output Circuit **
 - Q - Non-Standard Transformer Adjustment **
 - R - Potential Meter
 - T - Extended Temperature Rating
 - X - Export Crating
 - Y - Special Test, Document or Label Requirement
 - Z - Non-Listed Optional Feature (consult factory)
- ** - Optional detail available.

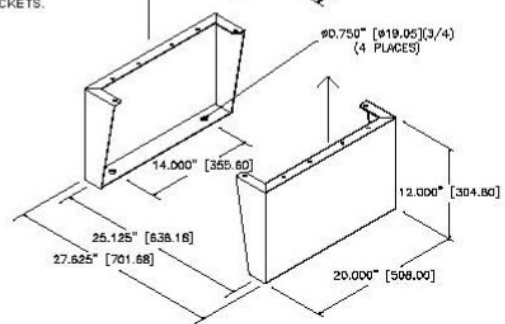
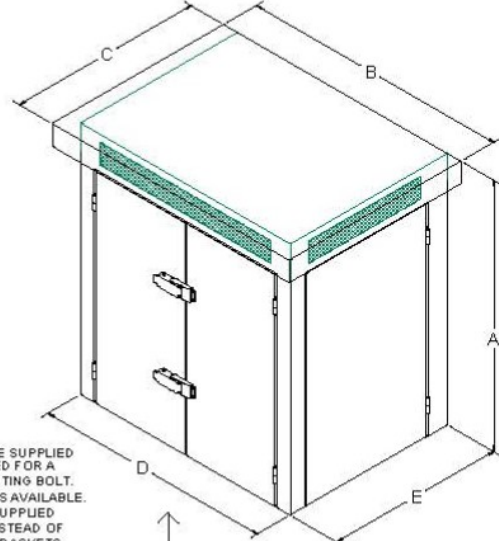
TYPICAL A-2 OR A-3 SIZE ENCLOSURE



NOTE: A-2 & A-3 ENCLOSURES ARE SUPPLIED WITH (2) KEYHOLES SIZED FOR A MAXIMUM 5/8" (0.625") MOUNTING BOLT. OPTIONAL BASE MOUNTING IS AVAILABLE. A-4 ENCLOSURES ARE SUPPLIED WITH BASE MOUNTING INSTEAD OF WALL / POLE MOUNTING BRACKETS.

4.000" [101.60]

TYPICAL A-4 SIZE ENCLOSURE



ENCL. SIZE	ENCLOSURE DIMENSIONS (")								
	A	B	C	D	E	F	G	H	I
A-2	26.625	23.25	19.25	19.00	17.00	30.50	1.375 (4) 1" KO	1.125 (1) 3/4" KO	0.875 (1) 1/2" KO
A-3	32.625	26.25	24.25	22.00	22.00	36.50	1.375 (4) 1" KO	1.125 (1) 3/4" KO	0.875 (1) 1/2" KO
A-4	36.00	36.25	26.25	32.00	24.00	N/A	1.984 (4) 1 1/2" KO	1.375 (1) 1" KO	1.125 (1) 3/4" KO



Corporate Office:
 16, 7875 - 57 Street S.E.
 Calgary AB T2C 5K7
 Canada
 Phone: (403) 236-5556

US Office:
 8505 Technology Forest Place, Bldg 903
 Woodlands Cluster
 The Woodlands, Tx 77381
 Toll Free: 1-800-848-4113