

Model 5030 Thermoelectric Generators



Gentherm Global Power Technologies' * (GPT) Model 5030 Thermoelectric Generator contains no moving parts. It is a reliable, low maintenance source of DC electrical power for any application where regular utilities are unavailable or unreliable.

Power Specification

Power Rating at 20°C
21 Watts at 12 Volts
21 Watts at 24 Volts

Electrical

Adjustment:	12 V	12 -18 Volts
	24 V	24 - 30 Volts

Reverse current protection included.

Output: Terminal block which accepts up to 10 AWG wire. Opening for 3/4" conduit in the base of the cabinet.

Standard Features

- Automatic Spark Ignition (SI)
- Automatic Fuel Shut-off (SO)
- Fuel Filter
- Low Voltage Alarm Contacts (VSR)

Optional Features

- Pole Mount or bench stand
- Corrosive Environmental Fuel System

Note: Specifications shown are for standard configurations. Gentherm Global Power Technologies' * (GPT) Integrated Systems Engineering Department is available to design custom voltages, fuel supply systems and non-standard operating temperatures.

Specification data stated in this document is subject to change without notice. To verify these specifications are current, contact your Gentherm Global Power Technologies (GPT) sales representative.

* Formerly Global Thermoelectric

Fuel

Natural Gas:	2.1 m ³ /day (74 Sft ³ /day) 1000 BTU/Sft ³ (37.7 MJ/SM ³) gas max 115 mg/Sm ³ (~170 ppm) H ₂ S max 120 mg/Sm ³ H ₂ O max 1% free O ₂
---------------------	---

Propane:	3.0 l/day (0.8 US gal/day)
Max. Supply Pressure:	172 kPa (25 psi)
Min. Supply Pressure:	69 kPa (10 psi)
Fuel Connection:	1/4" MNPT

Environmental

Ambient Operation Temperature: Max. 45°C (115°F) Min. -40°C (-40°F).
Operating Conditions: Unsheltered operation
Please contact GPT for operating conditions below -40°C or above +45°C.

Materials of Construction

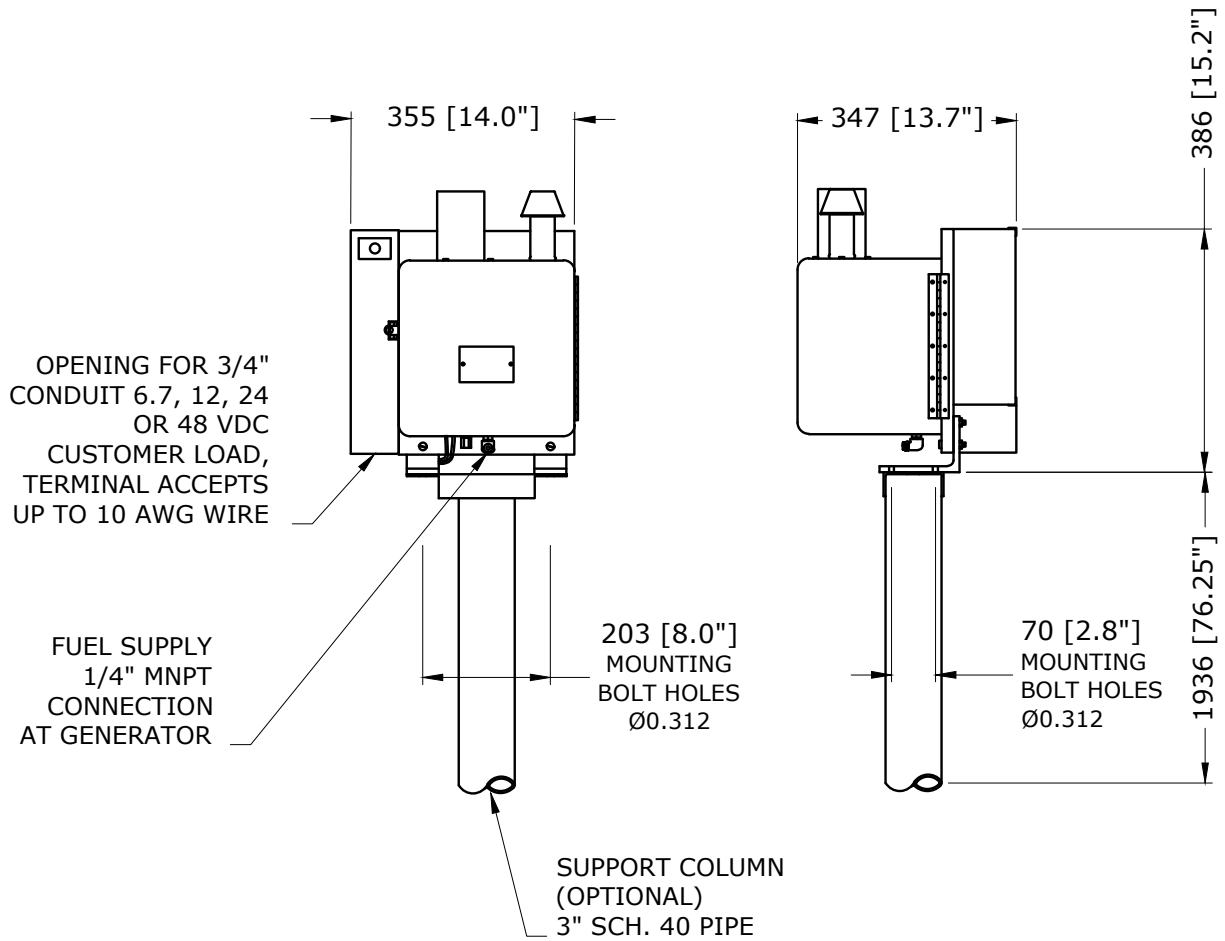
Cabinet:	Aluminum
Cooling Type:	Natural Convection
Fuel System:	Brass, Aluminum & SS

ISO 9001 Registered

Power where you need it.®

GENTHERM 
GLOBAL POWER TECHNOLOGIES

Typical Installation



NOTES:

1. GENERATOR WEIGHT: 18 kg [40 lb]
2. DIMENSIONS IN mm [INCHES].

MODEL: 5030
DRW: 42354 rev2